

Bailey network 90™

Fan Assemblies NFAN0□

WARNING

DO NOT INSTALL, MAINTAIN OR OPERATE THIS EQUIPMENT WITHOUT READING, UNDERSTANDING AND FOLLOWING PROPER Babcock & Wilcox Bailey Controls INSTRUCTIONS AND MANUALS, OTHERWISE INJURY OR DAMAGE MAY RESULT.

AVERTISSEMENT

NE PAS METTRE EN PLACE, REPARER OU FAIRE FONCTIONNER CE MATERIEL SANS AVOIR LU, COMPRIS ET SUIVI LES INSTRUCTIONS REGLEMENTAIRES DE Babcock & Wilcox Bailey Controls TOUTE NEGLIGENCE A CET EGARD POURRAIT ETRE UNE CAUSE D'ACCIDENT OU DE DEFAILLANCE DU MATERIEL.

Description

The Fan Assembly mounts below the Power Panels in a NETWORK 90™ cabinet and provides cooling air for the power system and modules. It is shown in Figure 1.

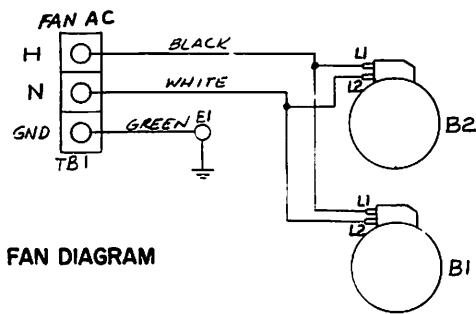
The following nomenclature applies:

TYPE NO.	INPUT POWER	PART NUMBER
NFAN01	120 V ac, 50/60 Hz, 0.36A	1947302-1
NFAN02	240 V ac, 50/60 Hz, 0.18A	1947302-2

Receiving, Handling and Storage

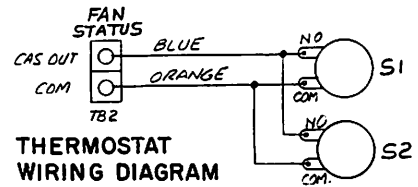
Upon receipt, the unit should be examined for possible damage in transit. If damage is found or if there is any evidence of rough handling, a damage claim should be filed with the responsible transportation company and the nearest Bailey Sales Office should be notified.

Storage should make use of original packing material and container. The storage environment should be protected and should be free of all environmental extremes, including temperature, moisture and air quality conditions.



FAN DIAGRAM

PN
1947350-1



THERMOSTAT
WIRING DIAGRAM

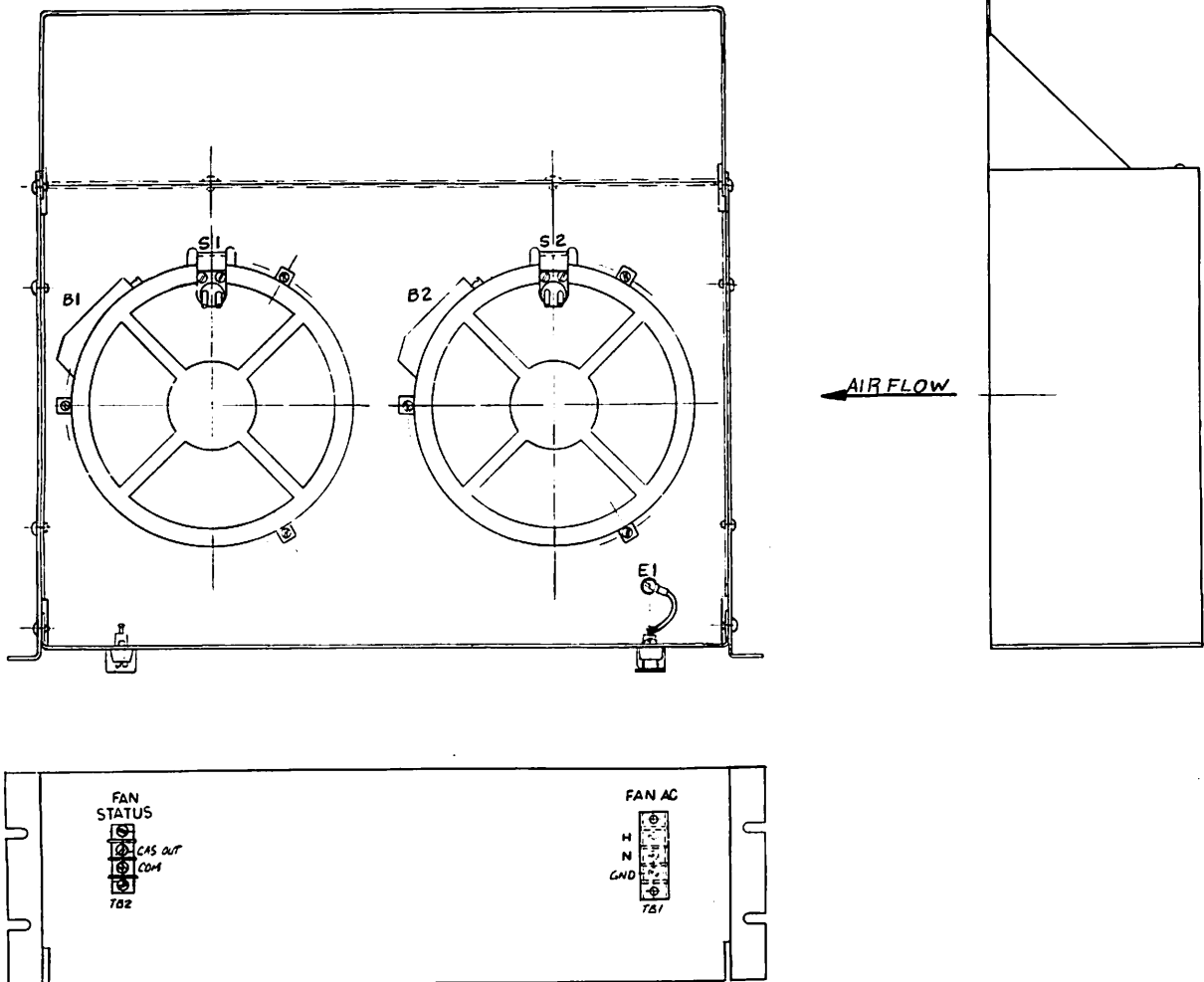


FIGURE 1 — Fan Assembly NFAN0 for System Cabinets

Bailey Controls, 29801 Euclid Avenue, Wickliffe, OH 44092 USA

The worldwide network of Bailey Sales/Service representatives is ready to address your total control and instrumentation needs.
For help from the one nearest you, call toll-free 1-800-554-9030. Telex 980621.