

Bailey Controls

NTRL01

Remote Link

Purpose

The NTRL01 Terminal on Unit provides NRIO01 Remote I/O Modules and field equipment with a remote communication interface. This TU also supports connection to Digital Control Stations.

F2 - 5 Amp), 2 terminal blocks, and connection tabs for +24 V dc I/O power.

Description

The NTRL01 Terminal on Unit is shown in Figure 1. The circuit board contains two fuses (F1 - 1 Amp,

Installation

The NTRL01 TU mounts on a Field Terminal Panel. Cable connection to this TU from sockets P1, P2, J1, J2, TB1, and TB2 are given in Table 1. Please refer to the Terminal on Unit and Cable Installation section of this manual for complete installation instructions, or other information as necessary.

TABLE 1 NTRL01 Application Summary

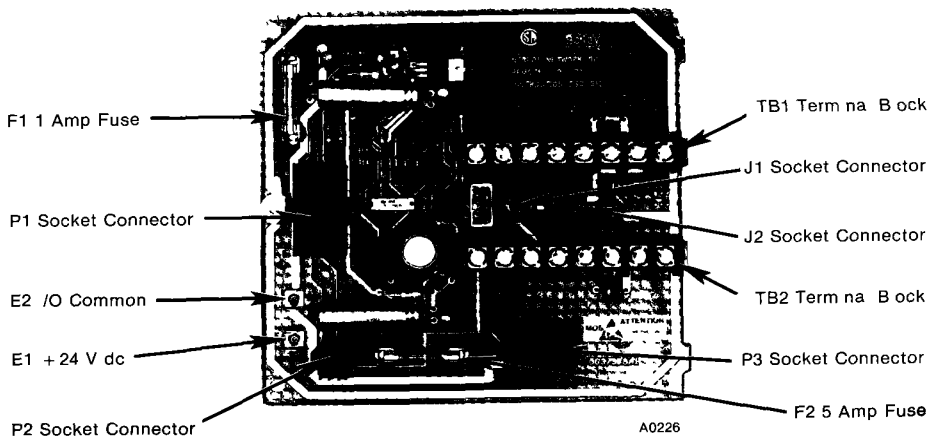
INTERFACES TO	CABLE(s) USED	APPLICATION
Remote I/O Module NR001 and NTRL01 Terminal on Unit	NKLM01	Provides communication between NR001s and field equipment
NDCS03 Digital Control Station and NTRL01 Terminal on Unit	NKDS01 NKDS02, NKSE01	Provides communication between NRIO01 and NDCS03
Two NTRL01s	NKCL01 NKPL01, NKTL01 Twisted Pair*	Provides communication between NR001s

*The twisted pairs are 22 AWG wire with 36 AWG shielding. Each wire of the pairs has 7 strands of 30 AWG wire.

For proper cable termination see J3 as follows:

APPLICATION	JUMPER POSITION
Coax Cable End Nodes Only	
Coax or Twisted Middle Nodes Only	
Twisted Cable End Nodes Only	

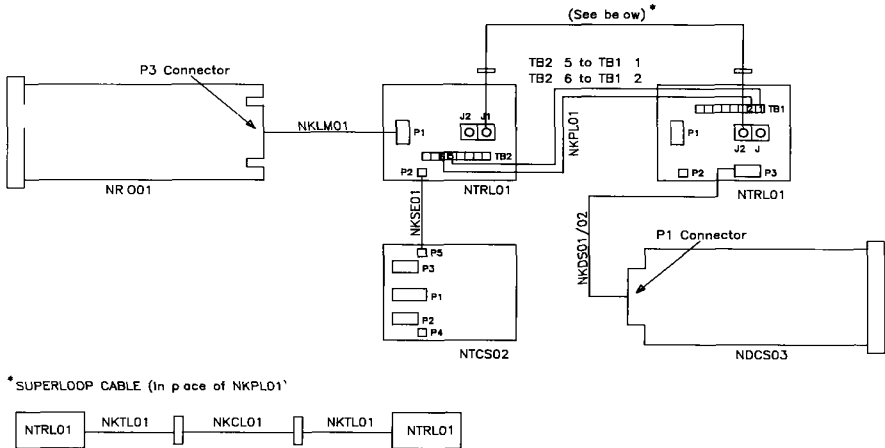
NTRL01



Terminal Block Number

TB1		TB2	
Terminal Number	Assignment	Terminal Number	Assignment
1	In +	1	Unused
2	In	2	Unused
3	Shield	3	Unused
4	Expander Bus Disable In	4	Unused
5	Unused	5	Out +
6	Unused	6	Out
7	Unused	7	Shield
8	Expander Bus Disable Out	8	Unused

FIGURE 1 NTRL01 Termination Unit and Terminal Assignments



TP85150

FIGURE 2 Cable Connections for the NTRL01

